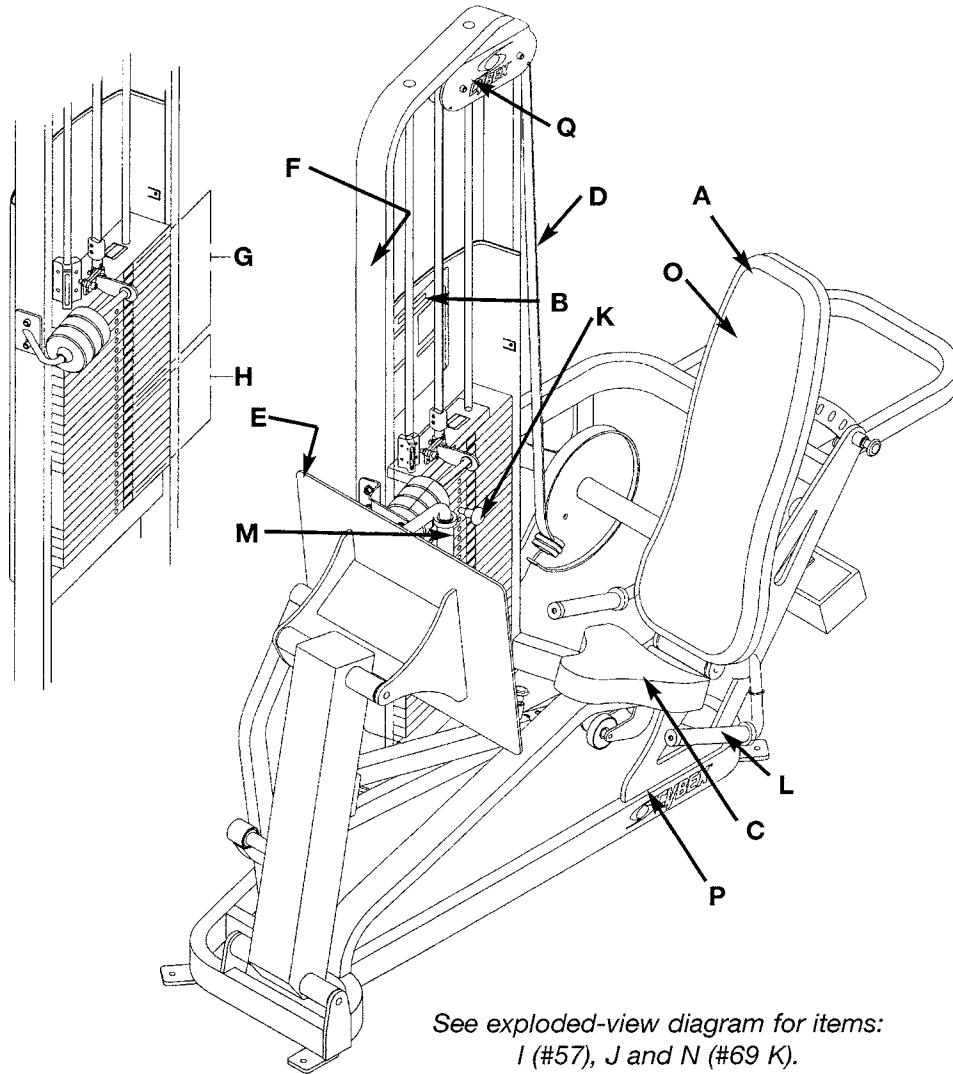


SEATED LEG PRESS

PRODUCT NO. 4605

PARTS LIST

Note: Item D - Weight Stack Belt = 108.5" Long
Item D - Rear Belt = 65" Long

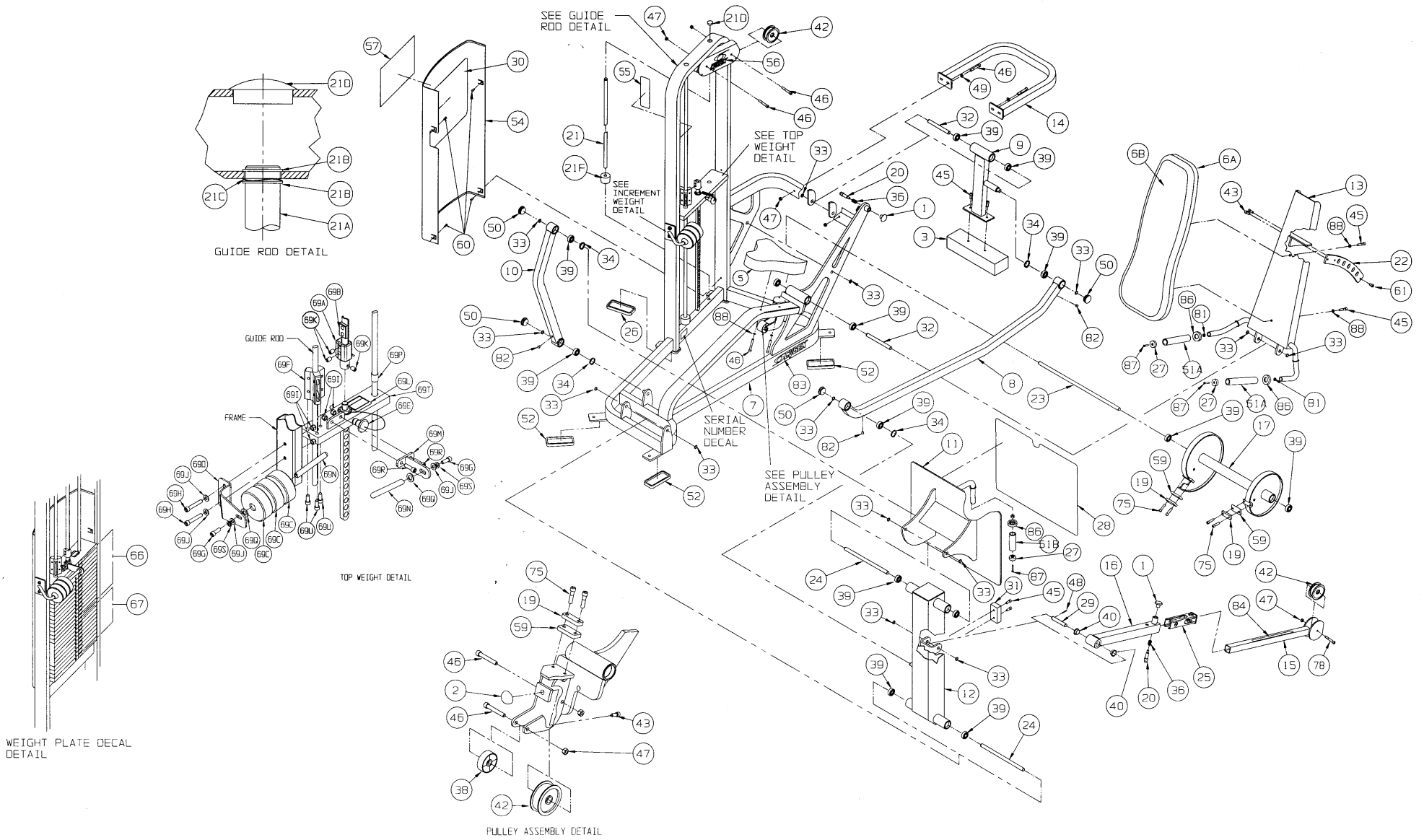


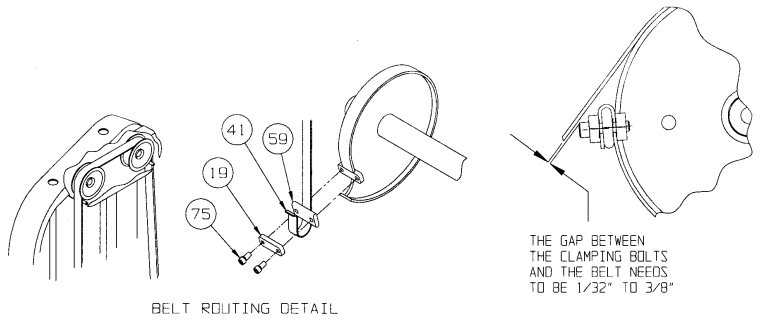
DESCRIPTION	PART NO.	DESCRIPTION	PART NO.
A. Back Cushion w/Wear Cover.....	4800-111	J. Serial Number Decal	
B. Placard Decal.....	4605-374	K. Weight Selector Pin.....	BH030207
C. Seat Cushion.....	4800-026	L. Grip.....	4605-506
D. Belt.....	GB000202	M. Grip.....	4605-509
E. Non-Slip.....	4605-372	N. Caution Decal.....	4605-424
F. Warning Decal.....	4605-381	O. Wear Cover (Item A).....	4800-114
G. Weight Plate Decal.....	4605-388	P. Cybex Decal Blk/Plm ...	3900-390
H. Weight Plate Decal.....	4605-389	P. Cybex Decal Wht/Wht ..	3900-415
I. Cybex Decal Blk/Plm ...	3900-391	Q. Cybex Decal Blk/Plm	3900-423
L. Cybex Decal Wht/Wht ..	3900-419	Q. Cybex Decal Wht/Wht ..	3900-424

4605 - Seated Leg Press

ITEM	QTY	PART NO.	DESCRIPTION	ITEM	QTY	PART NO.	DESCRIPTION
1	2	11040-440	Cybox Knob	55	1	4605-381	Warning Decal
2	1	4505-331	Bumper 1.50 Dia	56	1	3900-423	Cybox Decal 4.85 Vert. Blk/P
3	1	ZC000001	Counterweight	56	1	3900-424	Cybox Decal 4.85 Vert. Wht/vv.
4			Removed	56			Removed 3/03
5	1	4800-026	Seat Cushion	57			Removed 3/03
6 A	1	4800-111	Backrest Cushion w/Wear Cover	57	1	3900-391	Cybox Decal 11.37 Vert. Blk/Plm
6 B	1	4800-114	Wear Cover	57	1	3900-419	Cybox Decal 11.37 Vert. Wht/Wht
7	1	4605-200	Frame	58			Removed
8	1	4605-201	Linkage (Long)	59	3	4605-394	Belt Clamp
9	1	4605-202	Counterweight	60	4	HT102214	Tap Screw #10-12 x .625 A (Phil)
10	1	4605-203	Linkage (Short)	61	1	JC702814	SHCS .375-16 x .625
11	1	4605-204	Footplate	62			Removed
12	1	4605-205	Pivot Bracket	63			Removed
13	1	4605-206	Cushion Support	64			Not Used
14	1	4605-207	Guard	65			Not Used
15	1	4605-216	Adjusting Tube (Inner)	66	1	4605-388	Weight Plate Decal 10-290
16	1	4605-217	Adjusting Tube (Outer)	67	1	4605-389	Weight Plate Decal 310-490
17	1	4605-211	Cam	68			Not Used
18			Removed	69	1	4701-033	Sliding Increment Weight Set
19	3	4605-300	Belt Clamp	69 A	1	11040-216	Belt Clamp
20	2	4605-322	Detent Pin	69 B	1	11040-301	Belt Clamp Insert
21	1	4701-024	Weight Stack Guide Rod Set	69 C	3	4605-390	Increment Weight
21 A	2	4605-323	Weight Stack Guide Rod	69 D			Removed 3/03
21 B	4	BR030214	Retaining Ring .625	69 E	1	BH030207	Weight Selector Pin
21 C	2	HS407100	Spring Washer .65 x .79 x .062 T	69 F	1	FB130208	Bearing Sleeve .68 x .81 1.00 L
21 D	2	PN660200	Plastic Insert 1.00 Dia x 11G	69 G	4	HC702817	SHCS .375-16 x 1.00
21 E	2	PR060005	Weight Bumper	69 H	2	HC702828	SHCS .375-16 x 2.25
22	1	4605-327	Adjusting Arm	69 I	4	HN704901	Nylon Locknut .375-16
23	1	4605-333	Pivot Shaft 26.25	69 J	4	HS347600	Washer, SAE .375
24	2	4605-334	Pivot Shaft 13.06	69 K	1	HY740000	Set Screw .375-16 x .25 Cup Pt
25	2	4605-512	Plastic Insert 7.94	69 L	1	4605-424	Caution Decal
26	2	PR070003	Foot Pad 2.00 x 5.25	69 M	1	4700-240	Weight Mount
27	3	11090-374	End Cap	69 N	2	4700-318	Increment Weight Rod
28	1	4605-372	Non-Slip	69 O	1	4700-319	Frame Mount Increment Weig
29	1	4605-373	Pivot Shaft 4.06	69 P	2	4701-001	Top Weight Guide
30	1	4605-374	Placard Decal	69 Q	2	4700-321	Rubber Washer
31	1	5220-305	Bumper 2.00 x 4.00	69 R	2	JC702820	SHCS .375-16 x 1.25
32	2	5220-320	Pivot Shaft 7.06	69 S	2	HS348300	Split Lockwasher .375
33	16	BR030210	Retaining Ring 17 mm	69 T	1	4700-238	Top Weight
34	4	BR030212	Retaining Ring 1.575 Internal	69 U	3	HC702816	SHCS .375-16 x .875
35			Not Used	70			Removed
36	2	BS070201	Com Spring .56 x .66 x 1.50 L	71			Not Used
37			Not Used	72			Not Used
38	1	GP000210	Pulley Assembly 3.00 Idler	73			Not Used
39	14	FB030232	Radial Brg 17 mm ID (Ext Race)	74			Not Used
40	2	FB130207	Flange Brg 17 mm x 19 mm x 25 mm	75	6	HC702822	SHCS .375-16 x 1.50
41 A	108.5"	GB000202	Weight Stack Belt .95" Wide	76			Not Used
41 B	65"	GB000202	Rear Belt .95" Wide	77			Not Used
42	4	GP000209	Pulley Assembly 3.50	78	1	HC702826	SHCS .375-16 x 2.00
43	3	HC702815	SHCS .375-16 x .750	79	1	4701-302	VR2 Weight Stack Instr (not shown)
44			Removed	80	1	51198	Strength Warranty Sheet (not shown)
45	6	HC702817	SHCS .375-16 x 1.00	81	3	HF449063	Tube Insert
46	8	HC702830	SHCS .375-16 x 2.50	82	3	PP080207	Plastic Insert
47	6	HN704901	Nylon Locknut .375-16	83			Removed 3/03
48	1	HP266717	Spiral Pin .125 x 1.00	83	1	3900-390	Cybox Decal 1.57 Horiz. Blk/Plm
49			Not Used	83	1	3900-415	Cybox Decal 1.57 Horiz. Wht/Wht
50	4	PP090208	Plastic Insert 1.75 Dia	84	1	4605-427	Adjusting Decal
51 A	2	4605-506	Grip 8.0" Long	85	14	4000C101	Stack Weight 4 x 18 (not shown)
51 B	1	4605-509	Grip 4.0" Long	86	3	11090-376	Handle Grip Ring
52	3	PR070001	Foot Pad 2.50 x 4.25	87	3	JC620422	BHSCS .250-20 x 1.50
53			Removed 8/98	88	4	JS347400	Internal Tooth Lockwasher
54	1	4505-434	Guard				

SEATED LEG PRESS - 4605

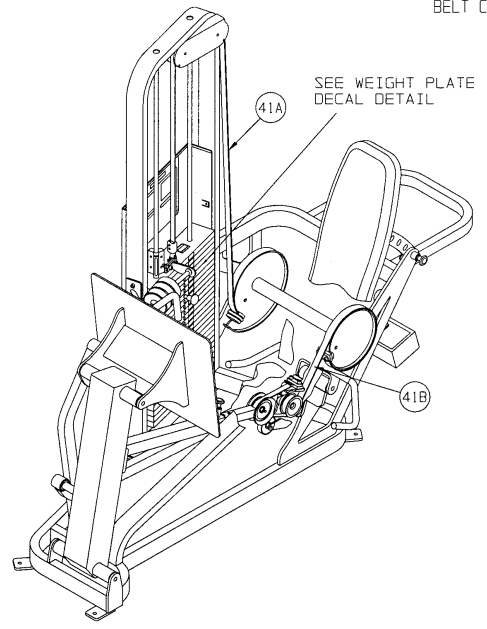




THE GAP BETWEEN
THE CLAMPING BOLTS
AND THE BELT NEEDS
TO BE 1/32" TO 3/8"

BELT ROUTING DETAIL

BELT CLAMPING DETAIL



SEE WEIGHT PLATE
DECAL DETAIL

BELT ROUTING DETAIL